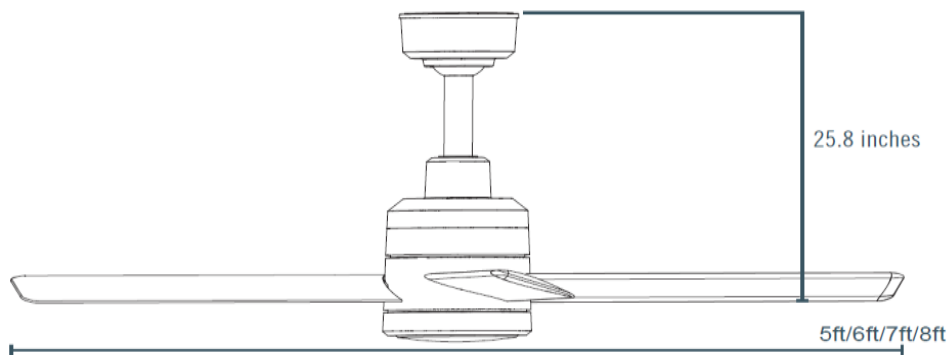




| AIRFOIL DIAMETER | 5ft | 6ft | 7ft | 8ft |
|-----------------------|--|-----|-----|-----|
| Airfoil Material | 6061-T6 Aircraft Grade Aluminum | | | |
| Number of Airfoils | 4 | | | |
| Airfoil Finish Colors | Matte Black, Fresh White, Matte Silver | | | |



| PERFORMANCE | 5ft | 6ft | 7ft | 8ft |
|--------------------------|-----|-----|-----|------|
| Max Speed (RPM) | 192 | 162 | 139 | 143 |
| Recommended Spacing (ft) | 20 | 24 | 28 | 30 |
| Max Affected Area (SQFT) | 400 | 576 | 784 | 1024 |
| Max Sound Level (dBA) | 51 | 47 | 54 | 54 |

| HANGING REQUIREMENTS | 5ft | 6ft | 7ft | 8ft |
|----------------------|-----|------|-----|------|
| Hanging Weight (lbs) | 48 | 48.5 | 49 | 49.5 |



| MOTOR | 5ft | 6ft | 7ft | 8ft |
|---------------|------------------------------|-------|-------|--------|
| Motor Type | Reversible, 8-Speed DC Motor | | | |
| Max Power (W) | 67.55 | 75.93 | 61.13 | 137.24 |

| MAX AMP DRAW | 5ft | 6ft | 7ft | 8ft |
|-----------------------|------|------|------|------|
| 120V Single Phase (A) | 1.17 | 1.29 | 1.17 | 1.42 |
| 240V Single Phase (A) | 0.65 | 0.78 | 0.75 | 0.78 |

POWER AND CONTROLS

| | |
|-----------------|--|
| Power Source | AC 1PH 100-120V 50-60HZ, AC 1PH 200-240V 50-60HZ |
| Control Options | Remote Control Included |

INSTALLATION

| | |
|------------------|---|
| Mounting Options | Standard/Angled |
| Downrod Length | 11in Standard Downrod Optional downrod sizes: 24in, 36in, 48in, 60in |
| Motor Wiring | Pre-wired motor cables, pre-assembled downrod |

LED Option

| | | |
|--------------------------------|------------------------------|------------------------------|
| Color Temperature (K) | 3,000 | |
| Flux (Lm) | 2,600 | |
| Min Luminous Efficiency (Lm/W) | 80 | |
| Max Input Power (W) | 30 | |
| Max Input Current | 120V Single Phase (A) = 0.25 | 240V Single Phase (A) = 0.13 |

RATING AND COMPLIANCE

| | |
|-----------------------|--|
| Wash Down Duty Rating | UL 507 Wet Rated & IP45 |
| Certifications | ETL/Intertek-certified to ANSI/UL 507 and CSA C22.2 No. 113 in North America International Low Voltage Directive: 2014/35/EU. IEC / EMC / CE |
| Safety Features | Safety Retention Cable |
| Warranty | 3-Year Warranty |